

RAIL INJECTOR GIRS12



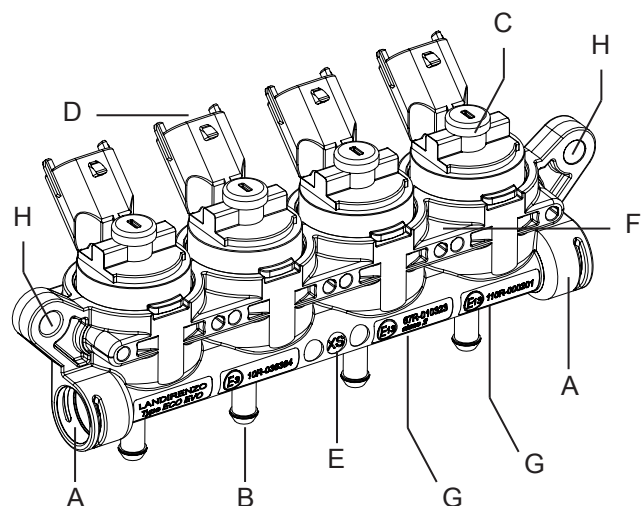
FEATURES

The GIRS12 rail injector has been designed and tested to ensure high performance and precision in the delivery of the fuel. Of reduced size for greater adaptability in the engine compartment, it is characterized by extremely low noise and resistance. Even under extreme conditions, it guarantees a very high degree of tightness, through the IP6K9K connector. Thanks to its 4 sizes, it adapts to the needs of different performance engines and different displacements (2-3-4 cylinders).

VERSIONS

SIZE	COLOR PLUG
XXS	BROWN
XS	YELLOW
S	GREEN
M	BLACK
B	WHITE

- A. Gas inlet connector
- B. gas outlet nozzles
- C. Injectors
- D. Connectors injectors
- E. Injectors Size
- F. Injectors Case
- G. Approval
- H. Fixing points injectors group



MAINTENANCE

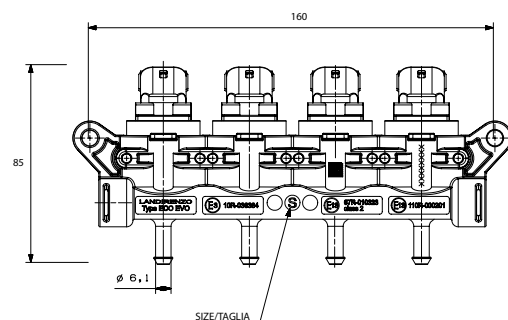
Maintenance at 60.000 Km

ENDURANCE

300 million cycles

HOMOLOGATIONS

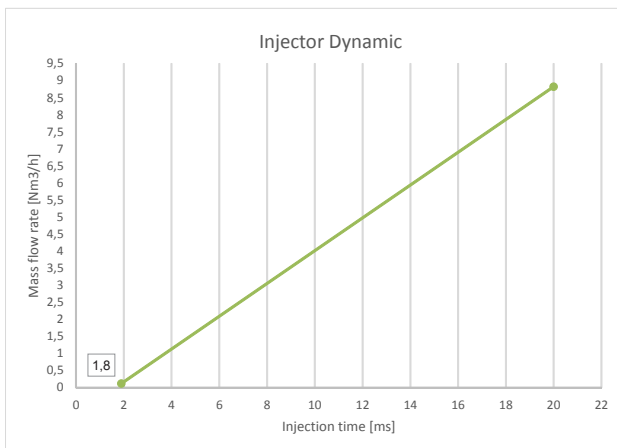
E3 10 R-036384
 E13 110 R -010201
 E13 67 R -010323



TECHNICAL SPECIFICATIONS

DIMENSION	XXS	XS	S	M	B
FUEL TYPE	LPG , CNG				
TYPE OF INJECTOR	normally closed				
GAS INLET	side feed				
WORKING PRESSURE	0,8 ÷ 4,5 bar				
TEST PRESSURE	10 bar				
COIL RESISTANCE	1,084 ohm				
PEAK CURRENT	7 A				
MAINTENANCE CURRENT	1,5 A peak&hold				
VOLTAGE WORKING	9/16 V				
OPENING TIME	1,8 ms				
CLOSING TIME	1,5 ms				
OPERATING TEMPERATURE	-40° C / +120° C				
LINEARITY	+/- 8%				
REPEATABILITY	+/- 9%				

FLOW RATE







Definition Standard LPG injectors sizes

Potenza Massima Motore [kW]	N° CILINDRI MOTORE						
	2	3	4	5	6	8	
Taglia Iniettori GIRS12	XXS	-> 30	-> 46	-> 61	-> 77	-> 92	-> 123
	XS	30 - 37	46 - 56	61 - 74	77 - 93	92 - 112	123 - 150
	S	37 - 44	56 - 66	74 - 88	93 - 110	112 - 132	150 - 176
	M	44 - 57	66 - 85	88 - 114	110 - 143	132 - 171	176 - 229
	L	57 ->	85 ->	114 ->	143 ->	171 ->	229 ->

* It is necessary to use one size smaller for CNG applications

** It is necessary to use two sizes smaller for VALVETRONIC engines

ACCESSORIES

KIT INJECTORS	KIT OVERHAUL	SET OF ACCESSORIES	OUTFIT MAINTENANCE
			
packaging technopolymer nozzles to an extent from 1.6 to 2.6 mm	packaging revision GIRS12 rail 4-cylinder	packaging rail fastening accessories and fittings	Equipment for review of rail injectors GIRS12 4 cylinders